

*North Fulton
Amateur Radio League
NFARL eNEWS
September 2020*

*Over 40 Years Promoting
Service | Friendship | Education | Fun*

www.nfarl.org



President's Corner / John Norris, N4IHV

It is hard to believe that September has arrived and the COVID restraints are still in place. This continues to be a learning experience for everyone. There will be a lot of "Do you remember when" out of this. Our club meetings will be held on Zoom until further notice.

It would probably be a good time to be in the kit selling business. Elecraft is getting ready to ship their new K4 and I am sure there are some excited purchasers. I am continually amazed at the progression of amateur radio advancements in technology. This has been an excellent time to learn something new, buy a new radio, install a new antenna or build something. We will try to take some time to share our endeavors after our next Zoom Club Meeting Speaker has finished.

Ham Jam 2020 has been cancelled due to COVID issues. We now have a lot of time to make Ham Jam 2021 the best ever. In addition it appears we will not have our Christmas Party; however, we will try to do something festive.

I am looking forward to a time soon when we are able to visit with each other in person and enjoy the wonderful treats that Martha Muir always brings to our club meetings. Let's hope that masks are not a permanent fixture in our lives. I say goodbye COVID and don't come again.

Hope to see you at our next Zoom Club Meeting September 15, 2020. Contact Jim Kauffman, W4IU, if you do not receive an invitation.

Thanks,

John Norris, President

NFARL



"Ready to Mask" but nowhere to go
Good thing we got radio...



Name This Ham

How many hams do you know who left California to attend college in Georgia? I suspect not many but this member of NFARL did just that. And given all the other places he and his family lived, he chose the Atlanta area as the place to settle down.

This man earned his first Amateur Radio license in 2012 but he was on the air as a CB operator for years before that.

This man's interest in ham radio is focused on his ARES activities and friends. He recalls that one of his first activities with NFARL was an antenna installation at a fire station "with Mike Cohen and Dr. John" [Kludt]. Since his upgrade to his General class license, he is, according to his QRZ page "having fun collecting DX SSB contacts from as many places as the ionosphere will take me." One of the places he's been collecting those contacts lately is Virginia. This man placed first in Georgia for low power phone contacts in the Virginia QSO Party.

You may have seen this friend driving around in his cherry red 1965 Corvette that he has owned since the early 1970's. Although he is retired from his formal profession, he is still active as a pistol instructor.

This NFARL member lists Tom W4UOC and Jim W4QO as his mentors. Jim fondly referred to him as the Junk Yard Operator but, alas, that nickname no longer fits. Rather, due to a recent call sign change, you may refer to him as "Whisky for ___ right away". Fill in the blank and you'll name this ham.

See Page 7 for the answer (if you're unable to identify this NFARL member), and to see photographs.

HamJam 2020 is Cancelled/ Wes Lamboley, W3WL

The twelfth annual HamJam has been cancelled due to coronavirus 19. The HamJam Committee considered holding the event via Zoom, but felt the original intent for the event, that of camaraderie, prize drawing excitement, three world-class speakers and raising money for Youth Education, Scholarships and Activities (YESA) could not be duplicated using Zoom. If you wish, you may contribute to the YESA fund shepherded by the North Fulton Amateur Radio League by going to <https://nfarl.org/mart/donation/> and help keep this important fund supporting an important component of Amateur Radio. We are all looking forward to making HamJam a fantastic success in 2021 and to seeing you there!

Strays– Tektite II

An amateur radio station was established in the Tektite II Habitat, 50 feet below the surface of the ocean recently and is believed to be the first operated from a habitat. This Tektite project is a multi-agency cooperative man-in-the-sea program, headed by the Department of the Interior, and co-sponsored by General Electric, NASA, U.S. Navy, Smithsonian Institution, the National Science Foundation, the Government of the Virgin Islands, and a number of universities. The station operated with the call sign W2YRQ/KV4 on 20 meters with the antenna on the diving barge above. Many contacts were made during the some seven hours of operation. Donna Lee Ferguson, XYL of W2YRQ reported that the effort was well received by all amateurs. "Only one contact thought it to be a hoax."

From QST September 1970, p87

So--- think we're making this stuff up? Check this out https://en.wikipedia.org/wiki/Tektite_habitat

What is a Pititico? / Bob Hensey, K4VBM

I have a ham friend in AZ who loves to build things - Arduino, Raspberry Pi, breadboard circuits, etc. - you get the idea. He sent me a kit for a QRP CW mini-transceiver that he was quite vocal about. We met due to a common interest in the **Feldhellschreiber** digital mode commonly called Feld Hell or just simply Hell. We both are members of the Feld Hell Club which is free to join and has some nice activities throughout the year: <https://sites.google.com/site/feldhellclub/>

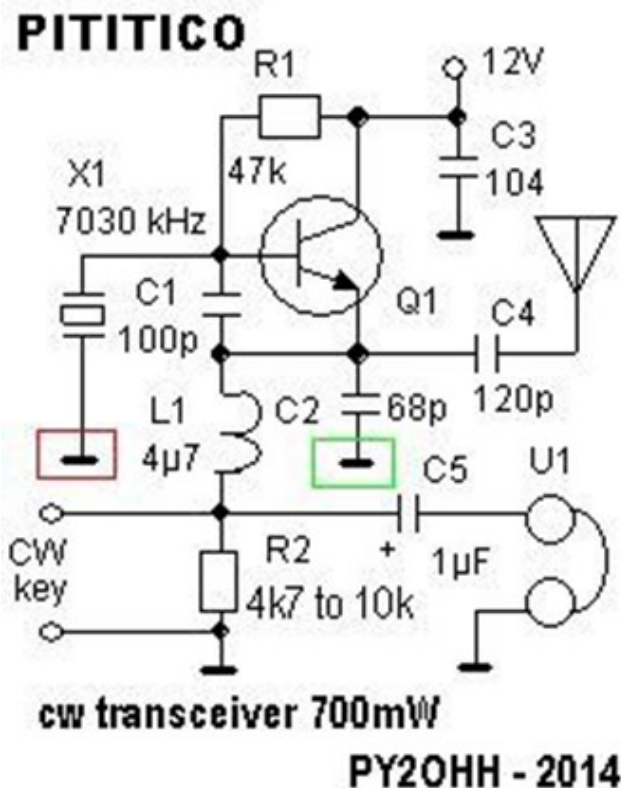
My friend had found the QRP transceiver info on the internet - called Pititico, the original design was by PY2OHH, a Portuguese ham, who is currently fooling around with Arduino and ham radio things – here is PY2OHH's current web page (sorry in advance, but you will need to Google translate): <https://www.qsl.net/py2ohh/>

Anyway, the Pititico is a 1 transistor 40m 700mW CW transceiver. Here is the corrected schematic:

Well my AZ friend, sent off to China to have 10 circuit boards made, and sent me one of them with most of the parts necessary to build it as a thank you for helping him with some computer problems. This is a picture of his build:



Figure 1 - AZ Pititico opened up



Continued on Page 4

Strays– Hi! Hi!

W4EVN sends a clipping which may explain the origin of a common ham abbreviation. Seems there is a traffic sign in China which reads, "When a passenger of the foot heaves into sight, tootle the horn trumpet to him melodiously at first. If he still obstacles your passage, tootle him with vigor and express by word of mouth this warning -- HI! HI!"

From QST September 1970 p61

What is a Pititico? / Continued from Page 3

Now, here is a picture of mine so far and the box I hope to get it into:

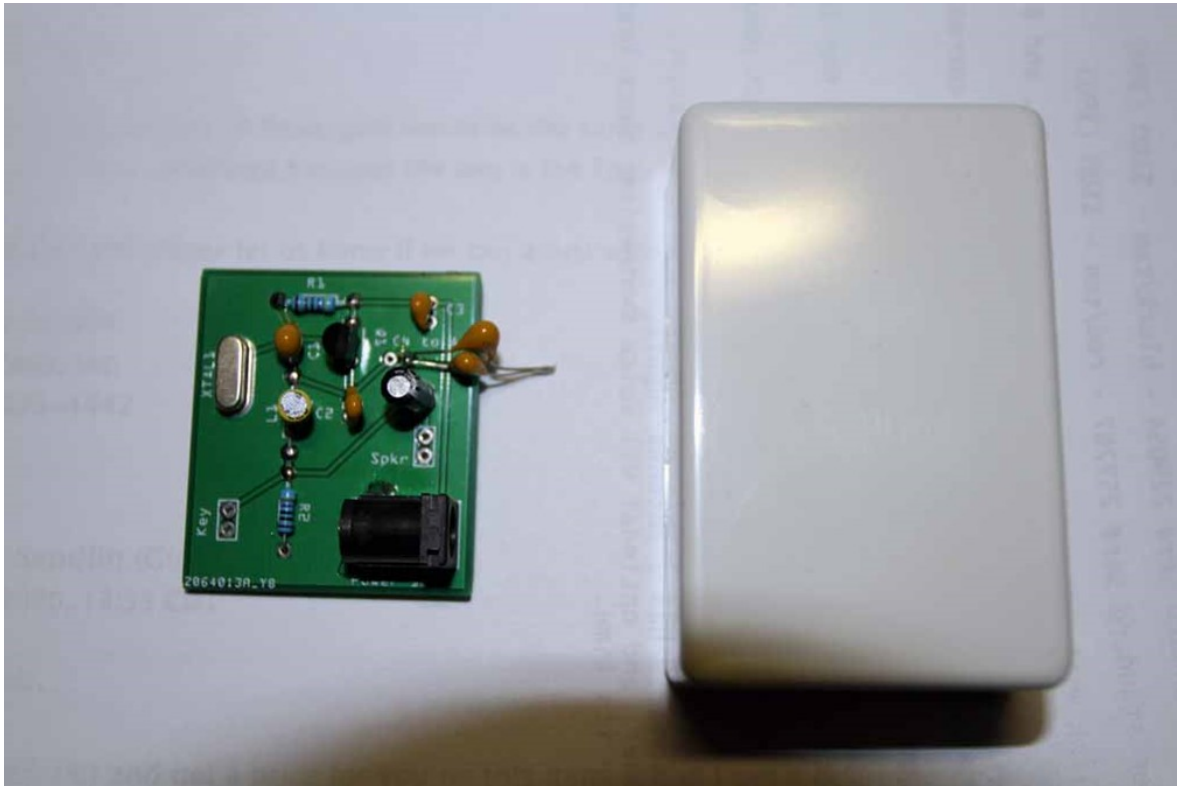


Figure 2 - K4VBM's Pititico and project box

I still need to solder on a mono jack to the speaker pads. This will allow me to plug in a headset. Soldering on a pigtail with Anderson PowerPoles will allow powering, and adding a similar PL259 connector so an antenna can be attached is also needed. Then it will become similar to the AZ version. It just amazes me that something so small with so few parts can end up as a working CW transceiver. Looking forward to giving this thing a try and see if my kit-building skills can produce something that works!

Editor's note: BTW— do you know what "pititico" means in Portuguese?

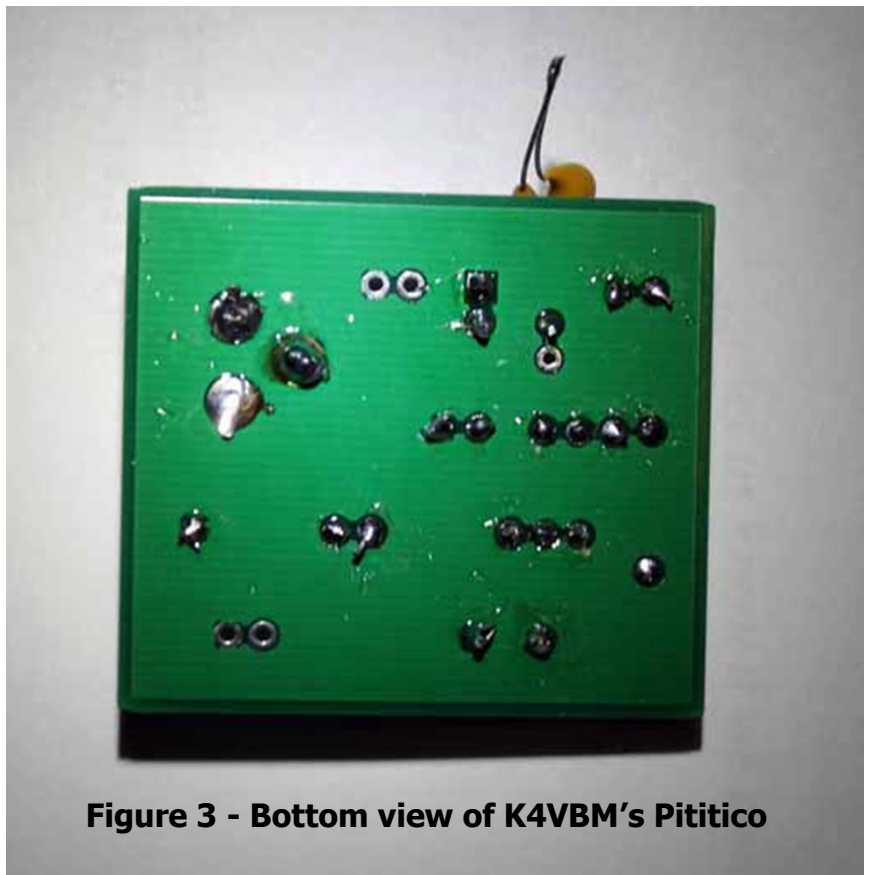


Figure 3 - Bottom view of K4VBM's Pititico

CW CHAT ON ZOOM IS A TREAT / Wes Lamboley, W3WL

Every Thursday night from 8 to 9PM a ZOOM meeting on CW is held. Jim, W4QO got it started, and now folks are joining from several areas of the country. There is no practicing of CW, just a chat about various aspects of CW, including study techniques, web sites with practice sessions, various on-the-air frequencies where beginners are talking with each other. There are always some great stories from newbies thru old timers about their CW journeys!

The ZOOM details are posted on the NFARL reflector on Wednesday. If you are the least bit interested in CW you may really enjoy this get together. https://nfarl.groups.io/g/main/topic/cw_chat/74376099

Getting Back Into ARES / Mike Riley, KN4OAK

I feel as though I was involved with ARES before I ever considered becoming a licensed Amateur Radio operator. Before moving to Georgia thirty years ago, I was a volunteer firefighter and Board member of the local Fire Commission District in the Connecticut village where I resided. Once settled in North Fulton County, I began attending and participating in civic events in which Jim Paine N4SEC, one of my eventual Elmers, was involved as either a CAPS or NFARES member. So all of this helped me to better understand what ARES does and why they're an important part of the Amateur Radio environment.

After receipt of my Technician operating license I started attending the NFARES meetings and attempting to adapt my newly developing ham skills to meet the capabilities associated with NFARES involvement. I quickly discovered that the ARES effort is more than just helping out with crowd management and such at local parades and community events. Being able to communicate between the various organizations that are involved in pre-planned or unplanned events that relate to and support various civic and public service activities is a skill. You and the team you're operating with need to practice the various methods and situational circumstances that are expected or unexpected to occur. The operations have to be conducted against format and procedure standards so that interaction with other teams is readily capable. Being part of an ARES team takes participation. You need to practice together so you can leverage individual skill and capabilities while achieving the exercise goals at hand.

During the last several months, my NFARES involvement and commitment has become lax. There are a number of factors that could be used to explain why, but there's no need to bore anyone with that. **The point I want to stress is that anyone who has an interest in understanding more about what ARES is and how NFARES plays a role can take advantage of hearing from Grant KK4PCR, at the September 2020 NFARL Club meeting.** I am sure you'll find the information interesting so as to compel you to think about how you might enhance your Amateur Radio experience through participation in ARES while giving back support to our communities. **Join us on September 15th at the NFARL Club meeting.**

Did You Know?

David N8SGZ, reports that the next generation elements of the ARISS Radio System are up and running! This new capability includes a FM voice repeater, thanks in some part to HamJam monies donated to the project that funded a special power supply to power the transceiver!

N8SGZ advises 145.990 MHz with CTCSS of 67 Hz for the uplink and 437.800 MHz downlink. Daylight pass traffic has been high during the first several days of operating. Get out there with your HT and SAT antenna rig to catch them! ISS orbits the Earth about 16 times per day at an altitude of about 248 miles above the Earth's surface.

You can obtain ISS flight information from these hyperlinks;

<https://www.astroviewer.net/iss/en/> Current Position and ground track orbital path information.

<https://www.space.com/16748-international-space-station.html> Facts, History & Tracking.

<https://spotthestation.nasa.gov/sightings/index.cfm> list of upcoming space station sighting opportunities.

<http://space-start.net/en/online.html> ISS Cameras and tracking.

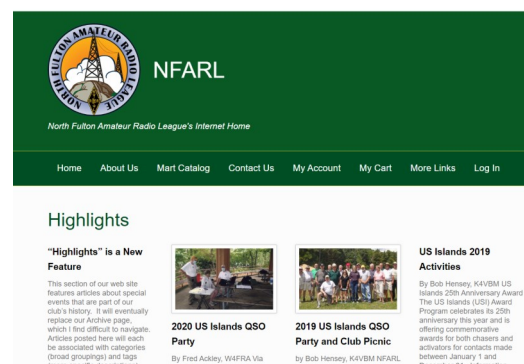
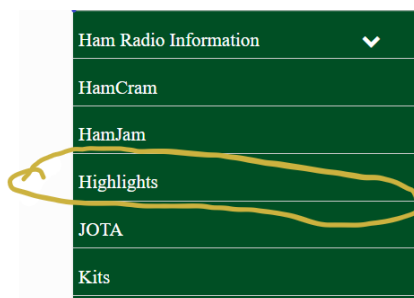
NEW SECTION ON OUR WEBSITE / Wes Lamboley, W3WL

If you have not visited the new NFARL web site, do check it our ASAP! Our web master, Bill Cobb-K4YJJ, has outdone himself again, and the "new look" is fantastic. Among the usual interesting ham related information is a new section Bill added called "HIGHLIGHTS". It can be accessed on the right-hand side of the home page and is described as "This section of our web site features articles about special events that are part of our club's history. It will eventually replace our Archive page, which I find difficult to navigate.

Articles posted here will each be associated with categories (broad groupings) and tags (more specific descriptions). Lists of categories and tags associated with articles are displayed below the sidebar menu to the right on the main Highlights page. The lists include links that you can use to search for articles associated with that category or tag.

When reading an article, its categories and tags are listed below the article. To view other articles with one of those categories or tags, click on "it".

Do check it out; you will be glad you did!



Name This Ham / From page 2

W4FRA is Fred Ackley



Contest Corner

From: <https://contestcalendar.com/contestcal.html>

- Texas QSO Party 1400Z, Sep 12 to 0200Z, Sep 13 and 1400Z-2000Z, Sep 13 <http://www.txqp.net/>
- Ohio State Parks on the Air 1400Z-2200Z, Sep 12 <http://ospota.org/>
- Alabama QSO Party 1500Z, Sep 12 to 0300Z, Sep 13 <http://www.alabamagsoparty.org/>
- ARRL September VHF Contest 1800Z, Sep 12 to 0300Z, Sep 14 <http://www.arrl.org/september-vhf>
- NAQCC CW Sprint 0030Z-0230Z, Sep 17 <http://naqcc.info/sprint/sprint202011.html>
- Collegiate QSO Party 0000Z, Sep 19 to 2359Z, Sep 20 <http://collegiateqsoparty.com/>
- ARRL 10 GHz and Up Contest 0600 local, Sep 19 to 2400 local, Sep 20 <http://www.arrl.org/10-ghz-up>
- Iowa QSO Party 1400Z, Sep 19 to 0200Z, Sep 20 <http://www.w0yl.com/IAQP>
- Wisconsin Parks on the Air 1600Z-2300Z, Sep 19 http://wipota.com/files/WIPOTA_contest_rules.pdf
- New Jersey QSO Party 1600Z, Sep 19 to 0359Z, Sep 20 http://www.k2td-bcrc.org/njqp/njqp_rules.html
- New Hampshire QSO Party 1600Z, Sep 19 to 0400Z, Sep 20 and 1600Z-2200Z, Sep 20 http://www.w1wqm.org/nhqso/NEW_HAMPSHIRE_QSO_PARTY_RULES.pdf
- SKCC Sprint 0000Z-0200Z, Sep 23 http://www.skccgroup.com/operating_activities/weekday_sprint/
- Maine QSO Party 1200Z, Sep 26 to 1200Z, Sep 27 <http://www.ws1sm.com/MEQP.html>
- YLRL DX/NA YL Anniversary Contest 1400Z, Oct 3 to 0200Z, Oct 4 <https://ylrl.org/wp/dx-na-yl-contest/>
- **Peanut Power QRP Sprint 2200Z-2359Z, Oct 4** <http://www.nogaqrp.org/PeanutPower/rules.pdf>
- K1USN Slow Speed Test 0000Z-0100Z, Oct 5 <http://www.k1usn.com/sst.html>

Extra Extra! / From the Extra Class Question Pool

New info for Technicians and Generals and a refresher for Extra Class Licensees!



E9G08 — What is the process of normalization with regard to a Smith chart?

- A. Reassigning resistance values with regard to the reactance axis
- B. Reassigning reactance values with regard to the resistance axis
- C. Reassigning impedance values with regard to the prime center
- D. Reassigning prime center with regard to the reactance axis

See answer on the last page!

Studying for your Amateur Extra-class license?

The Amateur Extra-class license examination question pool, effective from July 1, 2020, through June 30, 2024, has been released and is available at the National Conference of Volunteer Coordinators (NCVEC) [website](#).

Ian NV4C and his team hold license test sessions on the second Saturday of each month. For more information including upcoming test dates, [click here](#).

WANTED! eNEWS EDITOR! / From Mike Riley, KN4OAK

*North Fulton Amateur Radio League is look for someone willing and capable of serving as the Editor / Publisher of **NFARL eNEWS**.*

NFARL is looking for someone to volunteer their time to publish the NFARL eNEWS each month. The document is assembled from articles and information submitted by members volunteering to do so. Presently the document is assembled and “published” using Microsoft Publisher 2013. However, the successful candidate can choose their choice of preferred software and operating platform. The Editor relies on volunteer assistance to proof-read the final version before it is released to the Webmaster for posting on the NFARL website and distribution through automated mailing.

Contact Mike Riley at KN4OAK@nfarl.org for info or to volunteer as Editor.

NFARL Upcoming Events and Dates

- **Every Sunday — NFARES net** - 8:30 PM - 147.06 MHz (+) PL 100
All licensed hams are welcome, you do not need to be an ARES member!
Check NFARES.org for more information.
- **Every Monday — Tech Talk** - 8:30 PM - 145.47 MHz (-) PL 100
NFARL's flagship technical based "non check-in" net. The net is always better when using the web based chat room (Discord) but Internet is not required to join the net. Check [NFARL Nets](#) for more information and "how to". Here's the link to the NFARL server on Discord web app <https://discord.gg/spr2a9D>
- **Every Wednesday — Hungry Hams Lunch Bunch** - 11:15 AM
Location: Slope's BBQ, 34 East Crossville Road, Roswell, GA 30075
(770) 518-7000 *Call to verify operations*
Dining Room now OPEN with COVID-19 Restrictions. Get Take Out if you can't stay!

- **Every Thursday — YL OP Net** — 8:00 PM - 9:30 PM - 145.47 MHz (-) PL 100
Check NFARL Nets [website](#) for "how to." This is a great opportunity for YL's to get on the radio with other YL's! OM's (guys) are welcome to listen in to this YL net.
- **Every Saturday — Royal Order of the Olde Geezers Breakfast** - 9 AM
Location: Reveille Café, 2960 Shallowford Road, Marietta, GA 30066
(770) 971-6800 *Call to verify operations*
Dining Room now OPEN with COVID-19 Restrictions.
- **Second Tuesday — NFARES Meeting** - October 13, 2020 ***Online meetings only until COVID-19 Restrictions Lifted.*** Check NFARES.org for more information.
- **Second Saturday – VE Testing - NFARL October, 2020 session: Logistics planning underway. COVID-19 Restrictions in place. By reservation only.** See the ["Test Sessions"](#) web page and [NV4C's message](#) on the NFARL Groups.io reflector for details & registration process.
Contact Ian at nv4c.ian@gmail.com for questions / concerns.
- **Spalding Amateur Radio Club Video Supervised Virtual VE Exam**- Go Here and Review Info <https://k4cxs-scarc.wixsite.com/k4cxs>
- **Third Tuesday — NFARL Club Meeting** - September 15, 2020, 7:30 PM
Online meetings only until COVID-19 Restrictions Lifted
— ***September 2020 Topic:*** Grant Register KK4PCR will be our speaker; his presentation will be on "Red Cross Nationwide Radio Drill".
- **Fourth Tuesday – NFARL Executive Team Meeting** - September 22, 2020, 7:00 PM
Online meetings only until COVID-19 Restrictions Lifted
— monitor website and NFARL Groups.io reflector for updates.

Contact Us

President	John Norris N4IHV	President@nfarl.org
Vice President	Jim Kauffman W4IU	VicePresident@nfarl.org
Secretary	Martha Muir W4MSA	Secretary@nfarl.org
Treasurer	John Tramontanis N4TOL	Treasurer@nfarl.org
Activities Chair	Mike Riley KN4OAK	Activities@nfarl.org
Membership Chair	Wes Lamboley W3WL	Membership@nfarl.org
Past President	Daryl Young K4RGK	PastPresident@nfarl.org
Mentors / Elmers	Chuck Catledge AE4CW	Elmers@nfarl.org
Field Day Chair	Mike Riley KN4OAK	FieldDay@nfarl.org
Scout Coordinator	Jon Wittlin K4WIT	k4wit@nfarl.org
ARES Liaison and Community Relations	Jim Paine N4SEC	n4sec@nfarl.org
Repeater Operations	Mike Roden W5JR	Repeaters@nfarl.org
Webmaster	Bill Cobb K4YJJ	Webmaster@nfarl.org
eNews Team	Help Wanted!!	enews@nfarl.org

North Fulton Amateur Radio League

P.O. Box 1741
Roswell, GA 30077

nfarl.org

eNews can be located online at:
<https://www.nfarl.org/enews/eNewsIndex.html>

Club Repeaters

Frequency—Description	P.L. Tone	Location
145.470 (-) EchoLink Node 560686 NF4GA-R	100 Hz	Morgan Falls
147.060 (+) Primary ARES Repeater	100 Hz	Roswell Water Tower
* 224.620 (-) Joint Venture with MATPARC	100 Hz	TBD
443.150 (+)	100 Hz	Roswell Water Tower
444.475 (+)	100 Hz	Morgan Falls
* 927.0125 (-)	146.2 Hz	TBD

* Currently off the air

Club Call signs: NF4GA and K4JJ

Extra Extra answer: C (question E9G08)

Supporters and Affiliates

Please support our sponsors and affiliates by clicking on the logos below to visit their websites.

Arbor Terrace®
AT CRABAPPLE

Assisted Living & Memory Care for Seniors
An Arbor Company Community



SLOPE'S BBQ

ELECRAFT

KENWOOD
Listen to the Future



FlexRadio