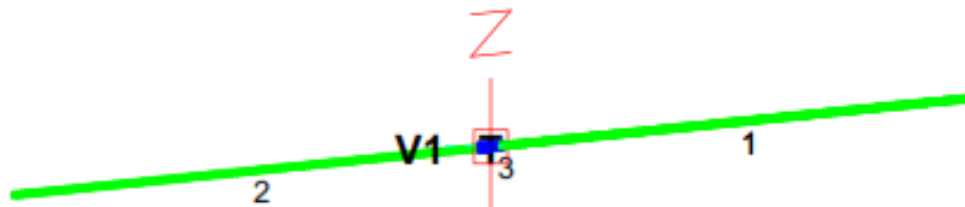


No Antenna is Perfect...

But, how about one that you can:

- Build in About One Hour
- Use on 40 and 15M without a Tuner
- Use on 30, 20, 17, 12 and 10M with a Modest Tuner (with some coax loss)
- Work DX and Local Stations
- Fit in as little as 44 Feet of Space
- Build for Less than \$28 Including Feed Line!!

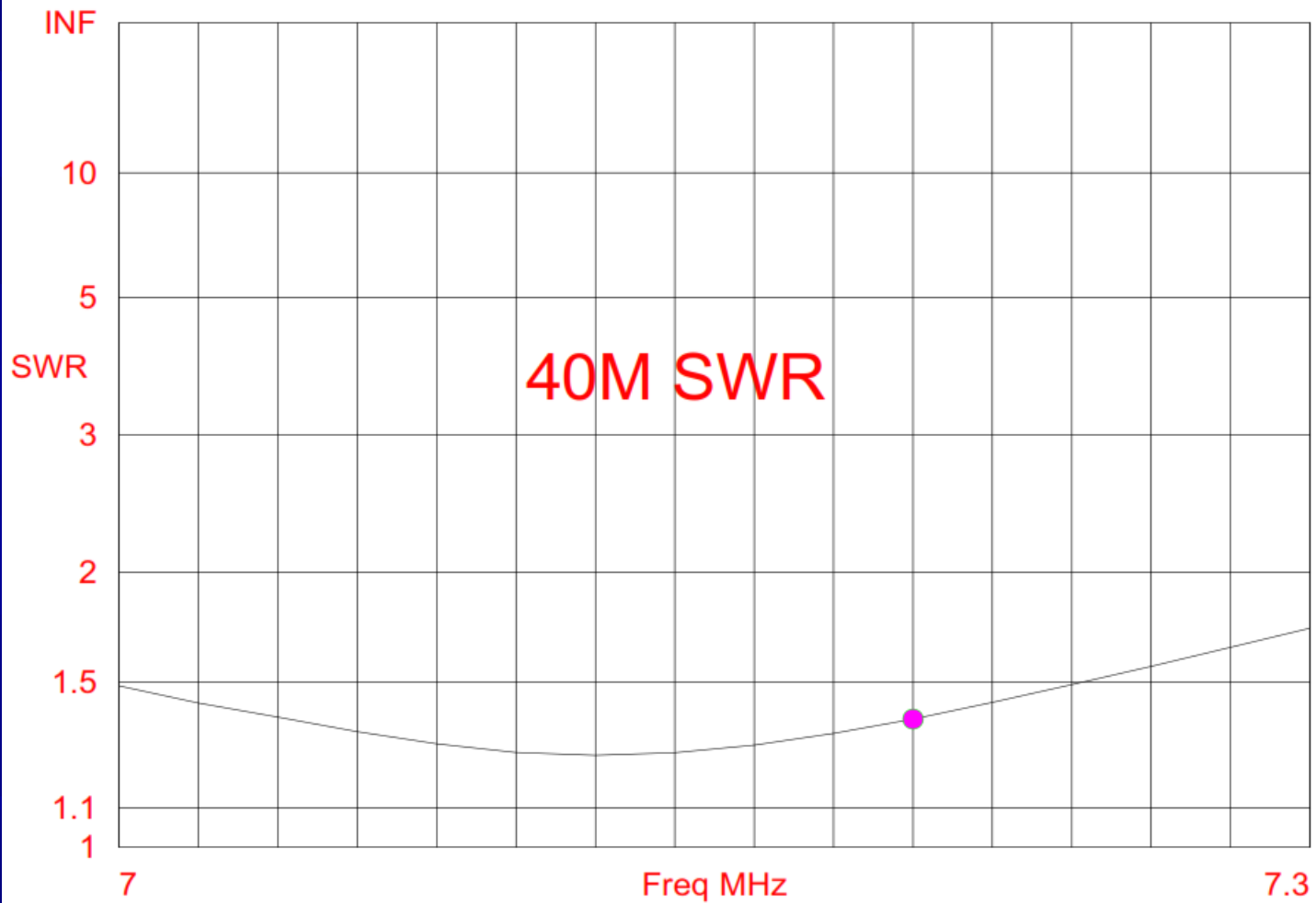
40-15M Dipole



66 feet 6 inches long
with 100 feet of 75 ohm coax

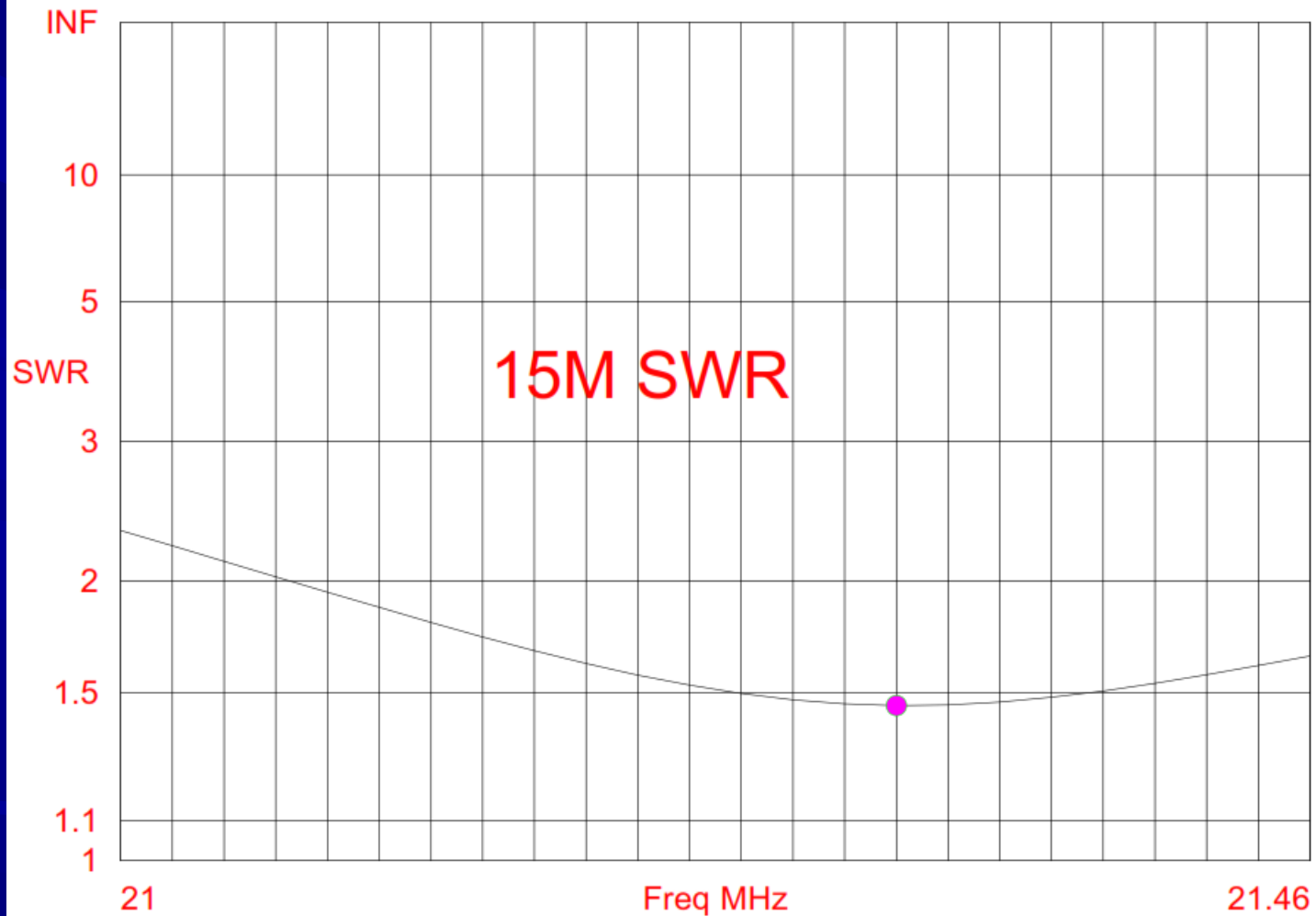
Club 40/15M Dipole

40-15M Dipole



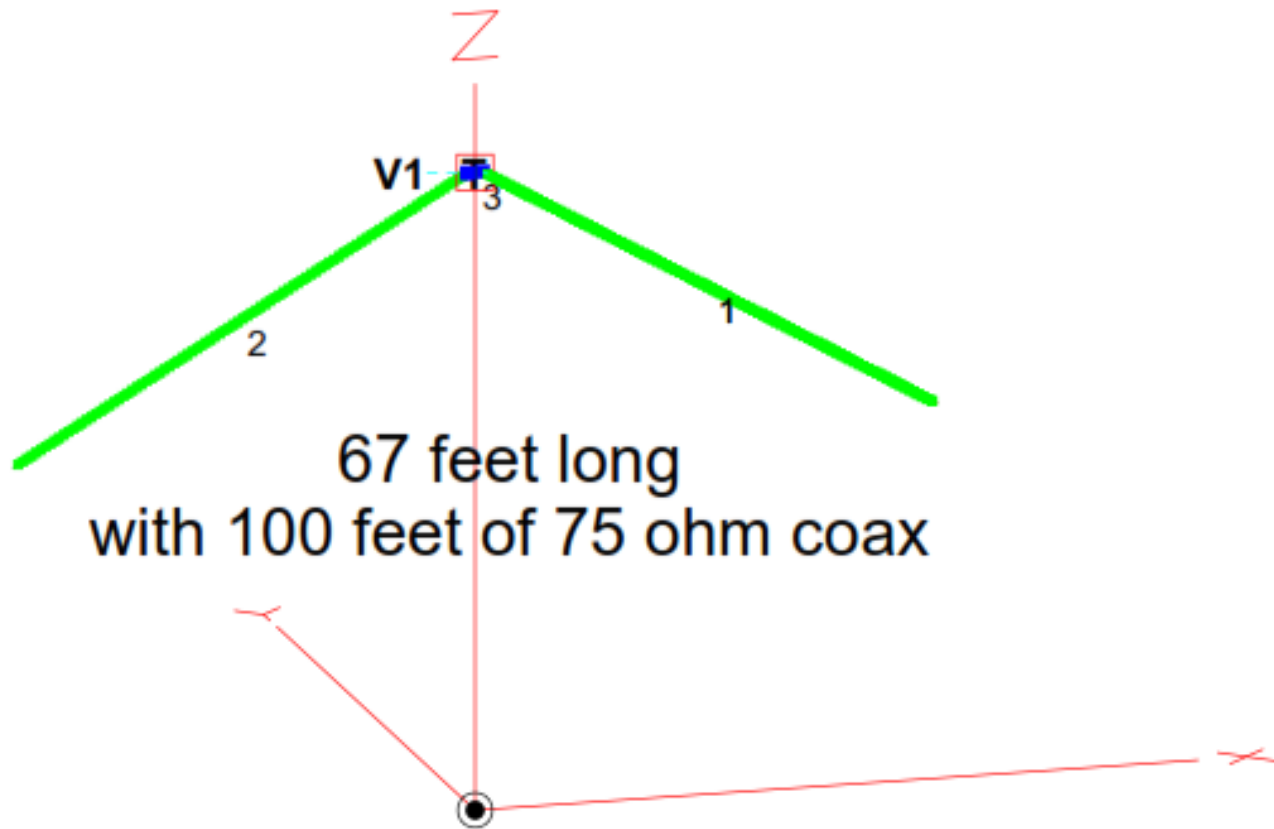
40 M Club Dipole

40-15M Dipole



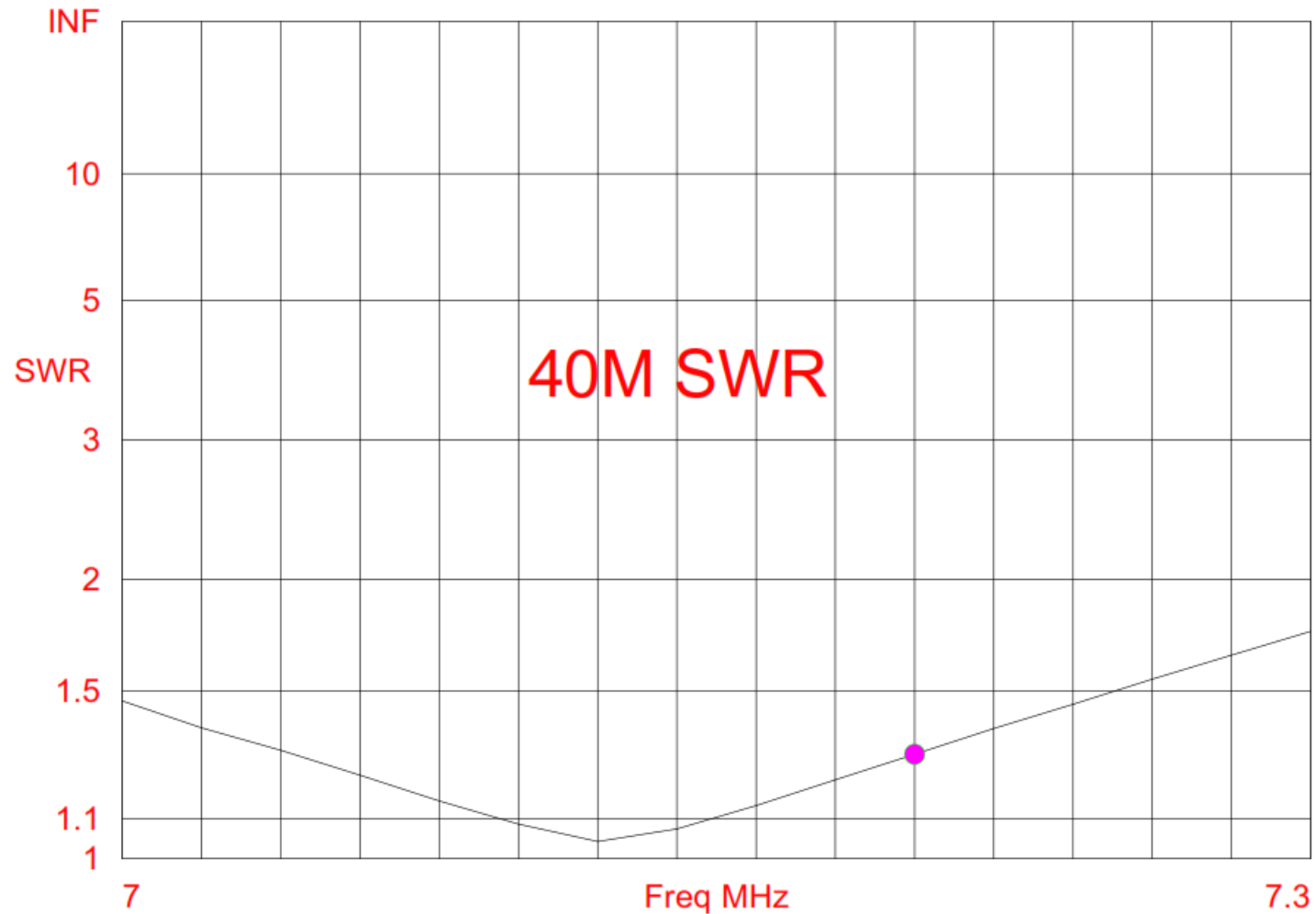
40 M Club Dipole

40-15M Inverted "V"



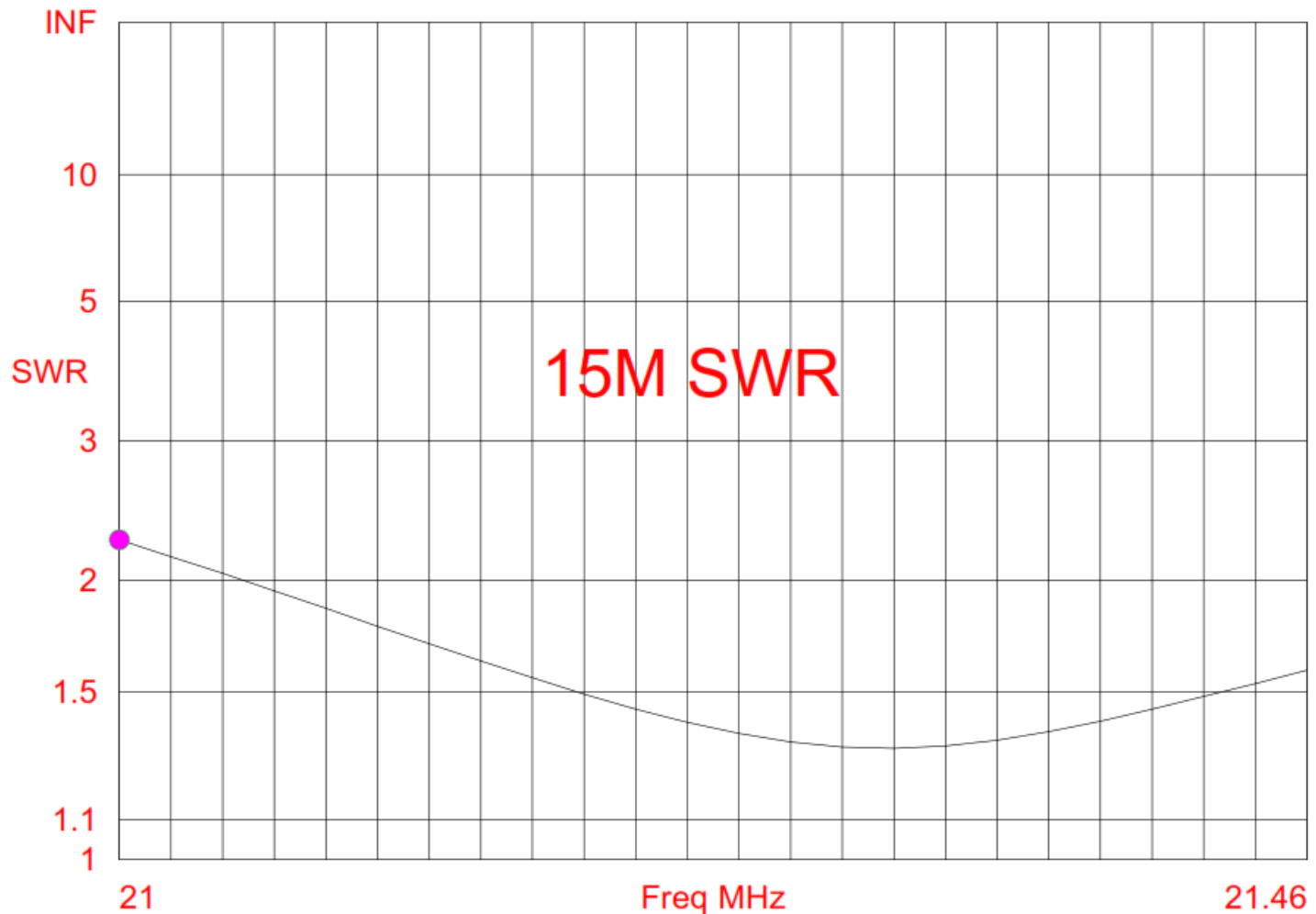
Club 40/15M Inverted V

40-15M Inverted "V"



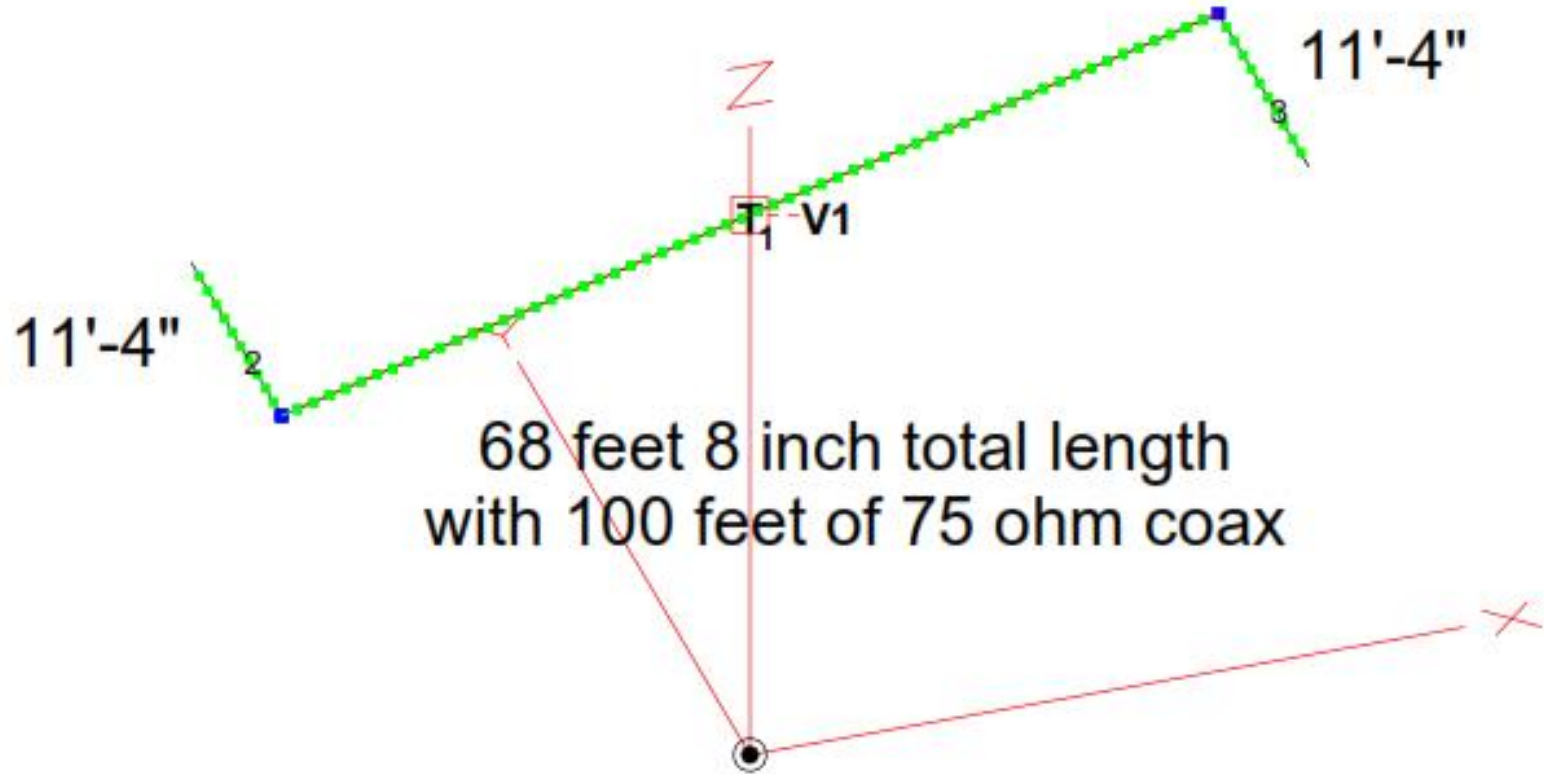
Club 40/15M Inverted V

40-15M Inverted "V"



Club 40/15M Inverted V

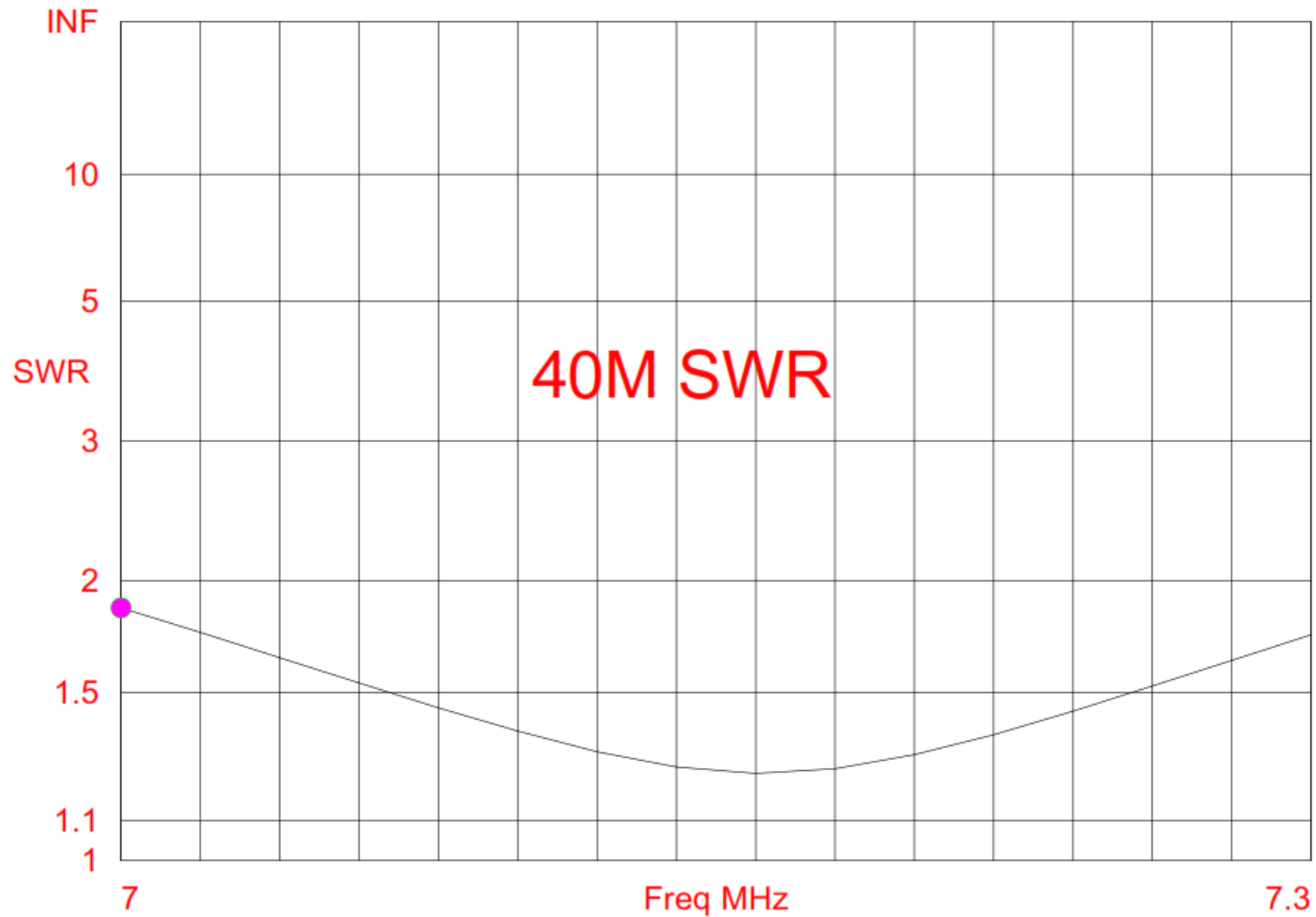
40-15M Attic "Z"



68 feet 8 inch total length
with 100 feet of 75 ohm coax

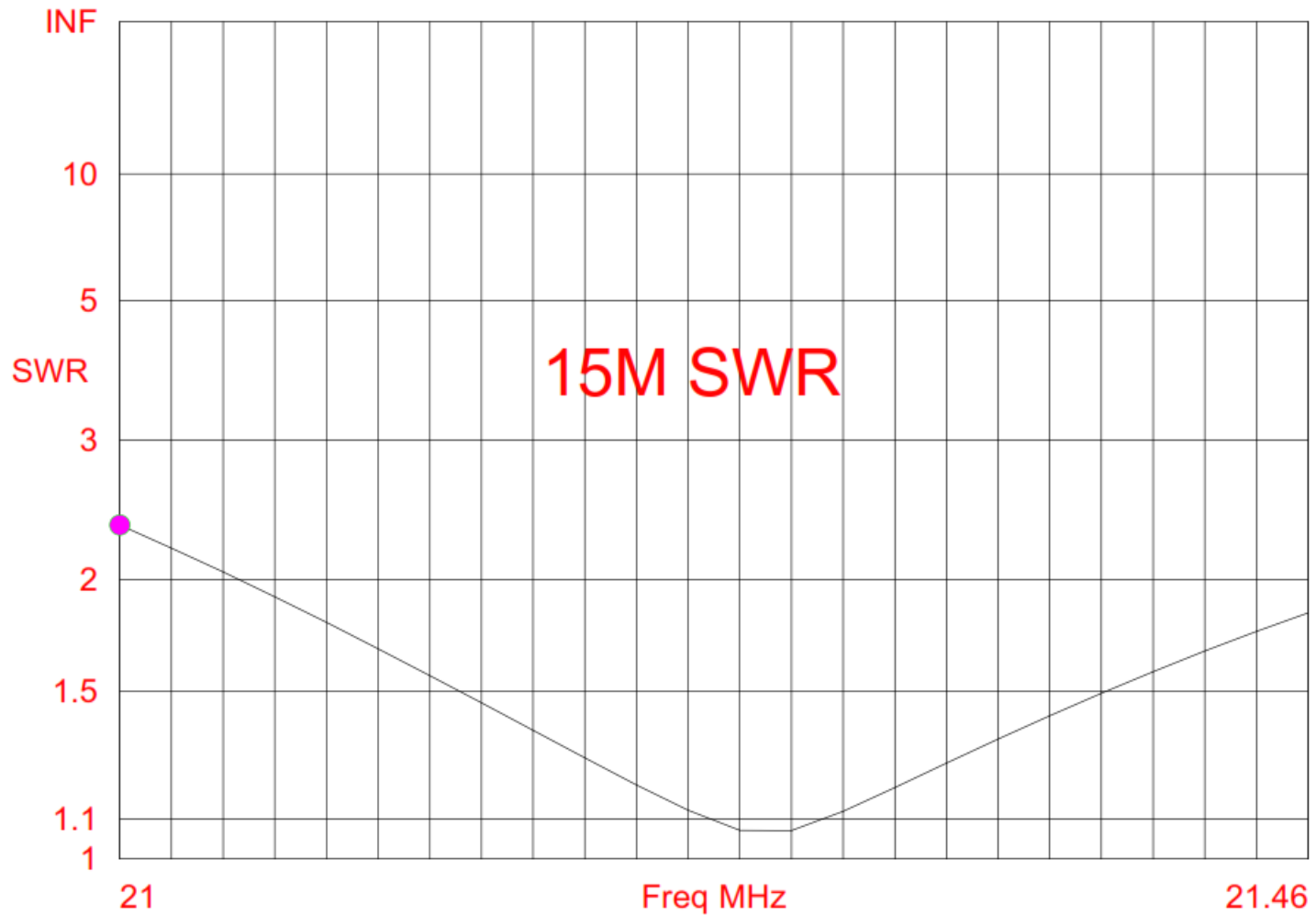
Club 40/15M Attic Z

40-15M Attic "Z"



Club 40/15M Attic Z

40-15M Attic "Z"

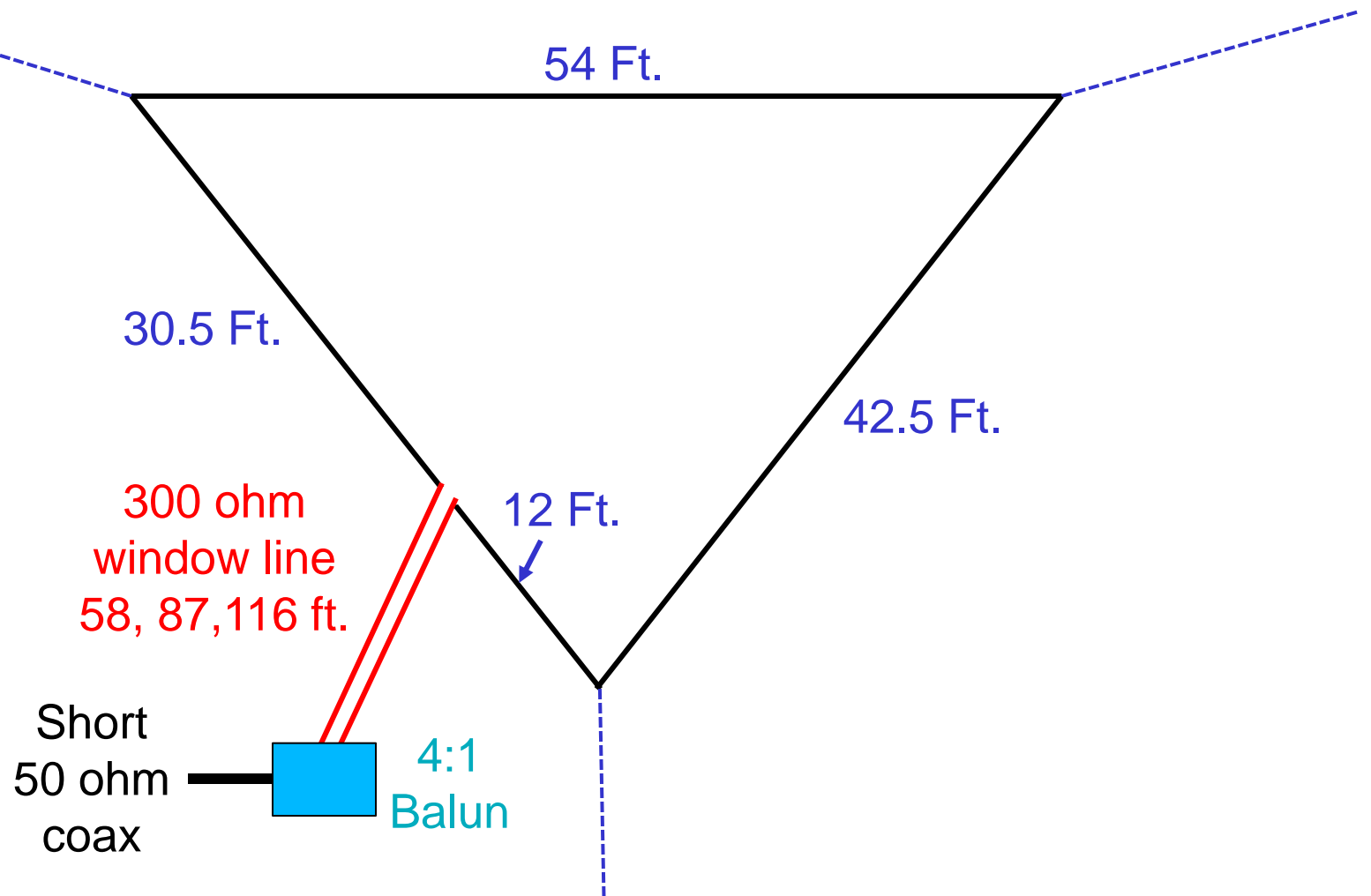


No Antenna is Perfect...

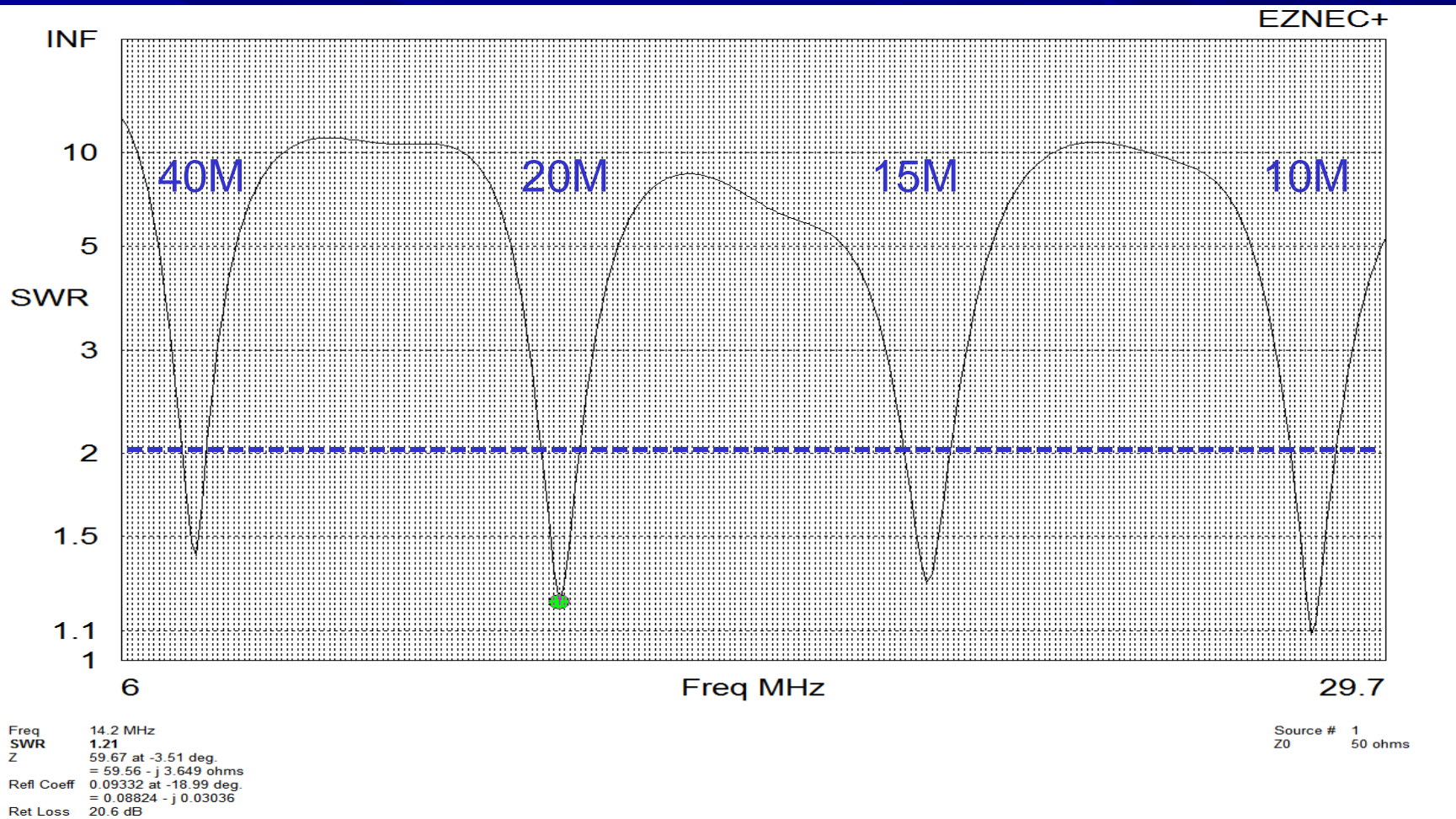
But, how about one that you can:

- Build in About Two Hours
- Use on 40, 20, 15 and 10M without a Tuner
- Use on 30, 17 and 12M with a Modest Tuner
- Work DX and Local Stations
- Fit in 60 Feet of Space Between Supports
- Buy for Less than \$70 Including Feed Line!!
- Add a 4:1 Balun for \$50

Side-Fed Inverted Delta Loop



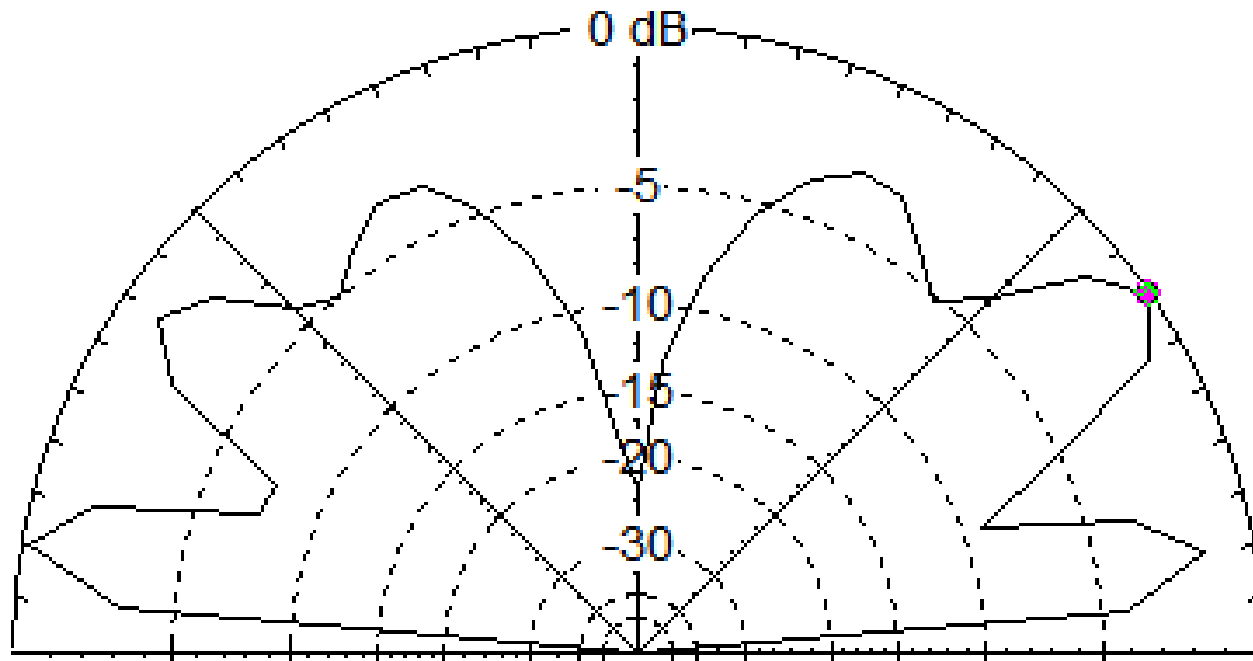
Resonant on 40, 20, 15 and 10M Plus 30, 17 and 12M with a Modest Tuner



Takeoff Angles Good for DX and Local Contacts

Total Field

EZNEC+



5.58 dBi Max Gain

21.2 MHz

Takeoff Angle Comparison Side vs. Bottom Feed Point

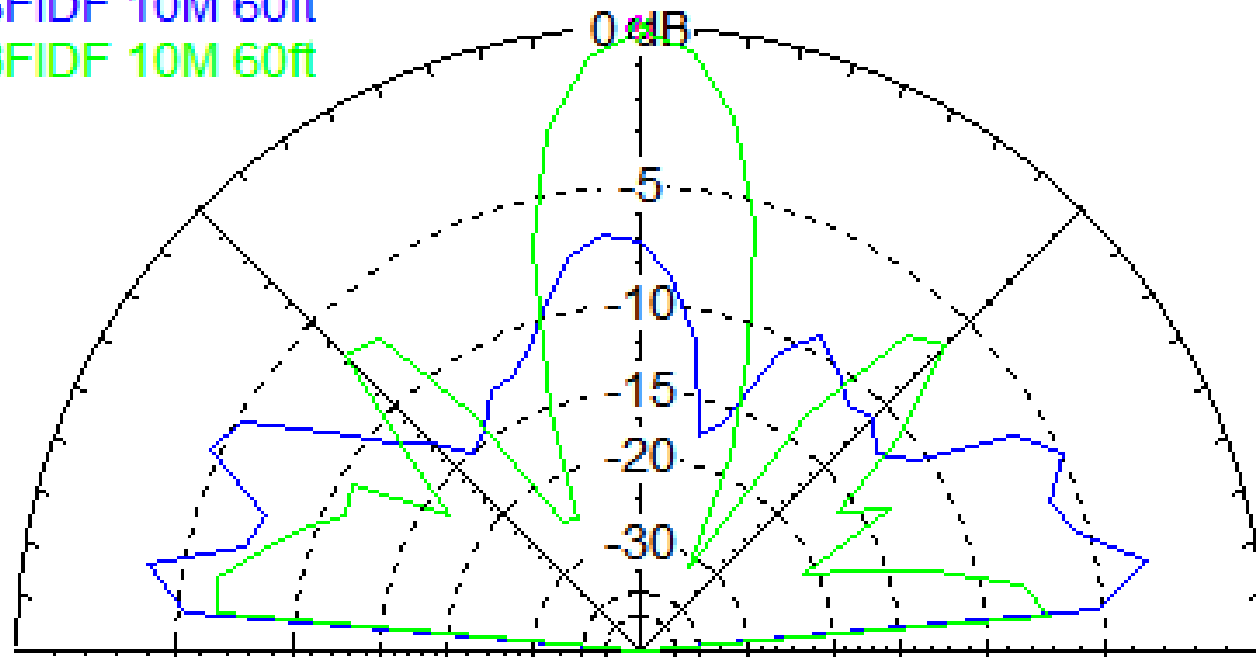
Total Field

EZNEC+

* Primary

SFIDF 10M 60ft

BFIDF 10M 60ft



28.4 MHz

Materials



DX Engineering
160M Dipole Kit
\$69.95

Balun Designs
4:1 300 Watt Balun
\$49.95

